

# Fall arrest lanyard



**Durable, lightweight components for increased safety and performance!**

***Tested over sharp edges***

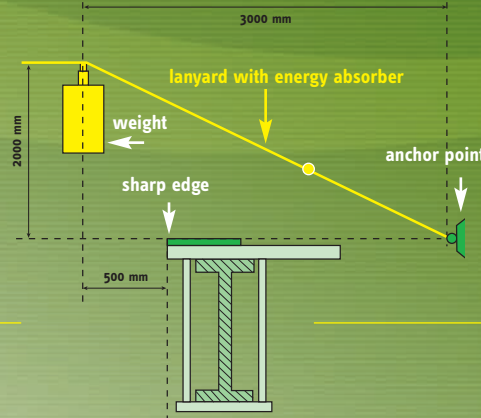
This product passed the "sharp edge" test, increasing your safety at height and working near edges. Incorporating an energy absorber to ensure your impact force never exceeds 6kN.

- A 12 mm Ø rope lanyard tested over sharp edges; responds to any situation when working at heights.
- Various connector options allow the user to connect safely whatever their environment.
- Twin lanyards are specially designed for climbing open vertical structures enabling the user to remain constantly connected (100% tie-off).



## Sharp edge test with 2 m fall

(sharp edge  $r \geq 0,5\text{mm}$ )



## Available in 4 models

Ref.	Length (m)	Top connector	Connector / bottom
10 168 47	2	ScaffHook alu	SnapHook alu
10 168 48	2	CS20 steel	CS20 steel
10 168 49	2	ScaffHook alu	CS20 steel
10 168 50	1,5	2 ScaffHooks alu	CS20 steel

## Application

- ✓ Telecommunications
- ✓ Electricity & Transport
- ✓ Utilities
- ✓ Building & Construction

**CE Certified**  
EN 354 : 2002  
EN 355 : 2002

**New!**



# Automatic webbing retractable lifeline *scorpion*™

**Inexpensive alternative for single energy absorbing lanyards!**

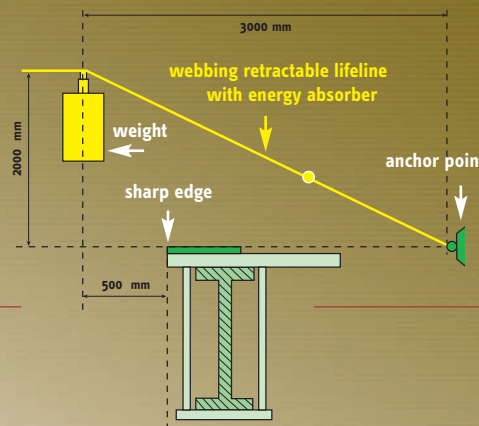
**Tested over sharp edges**

This product passed the "sharp edge" test, thus ensuring your safety. Incorporating an energy absorber to ensure your impact force never exceeds 6kN.

- Miller by Sperian automatic webbing retractable lifelines feature a quick action brake system that arrests the fall within centimeters.
- Compact and light, these sharp edge tested retractable lifelines must be attached to the rear D with the energy absorber attached to the harness for use when working near edges.
- Extremely solid and light, the Scorpion automatic webbing retractable lifelines contain internal components that are corrosion resistant, comprising an aluminum and stainless steel casing, and a shock-resistant thermoplastic housing (weight: 1,760 kg)



**Sharp edge test with 2 m fall**  
(sharp edge  $r \geq 0,5\text{mm}$ )



## Available in 3 models

Ref.	Length (m)	Top connector	Connector / bottom
10 168 40	2,6	CS20 steel + Miller stainless swivel	Steel SnapHook
10 168 41	2,7	Alu ScaffoldHook + Miller stainless swivel	CS20 alu
10 168 42	2,7	Steel ScaffoldHook + Miller stainless swivel	Steel SnapHook

## Application

- ✓ Construction
- ✓ Public works & civil engineering
- ✓ Scaffolding

**CE Certified**  
EN 360 : 2002