



ECO PROP

ADJUSTABLE TELESCOPIC STEEL PROP

ECO-DB HEAVY DUTY PROP

Telescopic steel prop designed and assessed as class B&D prop according to EN1065. Data in special Z-8.311 product approval DIBt.

- Light weight
- Hotdip galvanised
- Length marking

ECO PROP by Scafom-rux.

**SMART
DETAILS
GREAT
SOLUTIONS!**

SCAFOM-RUX **ECO PROP**

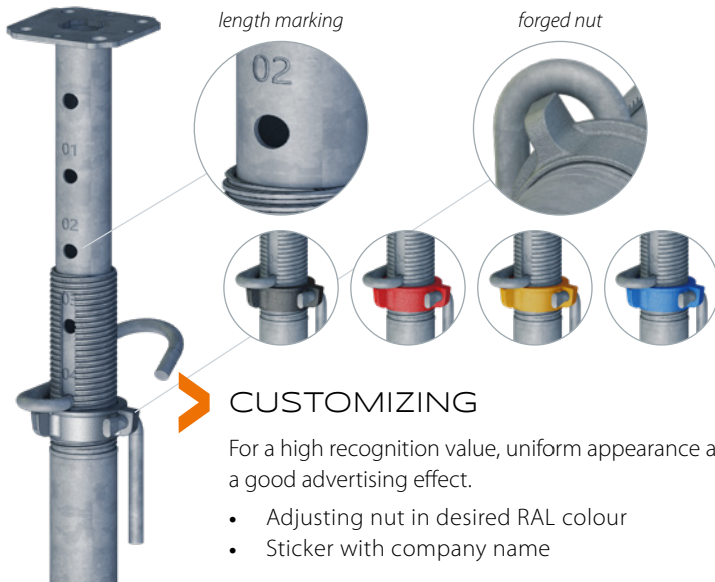


ERGONOMIC

- Length marking inner tube
- Light weight
- Easy-to-turn adjusting nut
- Ergonomic insert pin, secured against unintentional losses
- Excellent prop weight/load capacity ratio
- D-class shaped end plates, for identification purposes

LONG LIFE CYCLE

- Hot-dip galvanised, also on the inside (acc. EN ISO 1461), for optimal protection against corrosion
- Forged adjusting nut
- Self cleaning thread



CUSTOMIZING

For a high recognition value, uniform appearance and a good advertising effect.

- Adjusting nut in desired RAL colour
- Sticker with company name

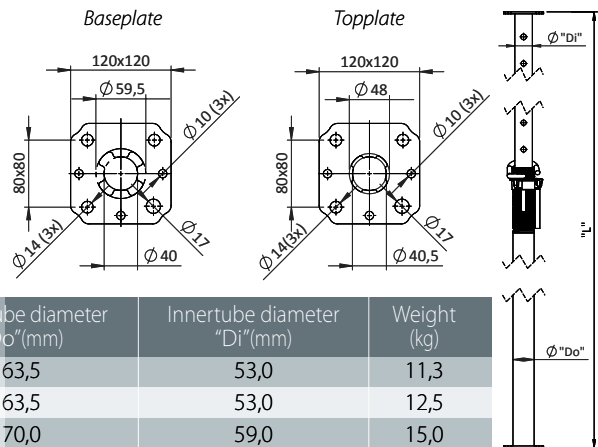
ECO DB HEAVY DUTY PROP

Light weight, hotdip galvanised and length marking.

SAFE

- Safe working conditions thanks to hand protection
- Safe working conditions thanks to drop-out protection inner tube
- Punched holes inner tube, ensures perfect functionality

SLW (Y=1,65)	ECO-DB250		ECO-DB300		ECO-DB350	
	Inner tube above	Outer tube above	Inner tube above	Outer tube above	Inner tube above	Outer tube above
Column Length [mm]	F [kN]	F [kN]	F [kN]	F [kN]	F [kN]	F [kN]
1500	32,0	32,0				
1600	32,0	32,0				
1700	32,0	32,0	32,0	32,0		
1800	32,0	32,0	32,0	32,0		
1900	32,0	32,0	32,0	32,0		
2000	32,0	32,0	32,0	32,0	32,0	32,0
2100	32,0	32,0	32,0	32,0	32,0	32,0
2200	32,0	32,0	32,0	32,0	32,0	32,0
2300	32,0	32,0	32,0	32,0	32,0	32,0
2400	29,9	32,0	30,6	32,0	32,0	32,0
2500	27,3	31,1	29,3	32,0	32,0	32,0
2600			27,6	32,0	32,0	32,0
2700			25,8	30,5	32,0	32,0
2800			23,8	28,1	32,0	32,0
2900			22,1	25,5	21,2	32,0
3000			20,6	23,2	29,0	32,0
3100					27,1	31,9
3200					25,3	29,5
3300					26,6	27,2
3400					22,0	25,0
3500					20,6	22,9
3600						



Product number	Description	Adjustable length "L" min-max (mm)	Outertube diameter "Do"(mm)	Innertube diameter "Di"(mm)	Weight (kg)
E01EC0001	ECO-DB-250 prop	1460-2500	63,5	53,0	11,3
E01EC0002	ECO-DB-300 prop	1710-3000	63,5	53,0	12,5
E01EC0003	ECO-DB-350 prop	1960-3500	70,0	59,0	15,0